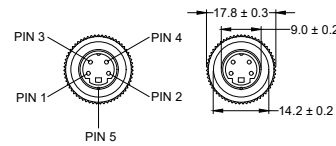


TABLE 1: BE-8XXC/2XXC CAMERA KIT OPTIONS

PART NO.	MODEL NO.	DESCRIPTION
1623D	BE-800C	CAMERA, ELITE, HEATED, ULTRA-LOW-LIGHT, PAL
1559D	BE-800C(40)	CAMERA, ELITE, HEATED, ULTRA-LOW-LIGHT, PAL, 40°
1426D	BE-800C(78)	CAMERA, ELITE, HEATED, ULTRA-LOW-LIGHT, PAL, 78°
1905C	BE-801C	CAMERA, ELITE, HEATED, ULTRA-LOW-LIGHT, NTSC
2085C	BE-801C(40)	CAMERA, ELITE, HEATED, ULTRA-LOW-LIGHT, NTSC, 40°
2084C	BE-801C(78)	CAMERA, ELITE, HEATED, ULTRA-LOW-LIGHT, NTSC, 78°
4924A	BE-850C	CAMERA, ELITE, HEATED, ULTRA-LOW-LIGHT, PAL, 12-24VDC
1624B	BE-200C	CAMERA, ELITE, HEATED, ULTRA-LOW-LIGHT, PAL, BLACK AND WHITE

Revision Notes.				
R1 -				
APA: -	Drawn: -	Checked: -	Approved: -	Date: -

VIEW A



4 PIN MINI DIN MALE MATING FACE

PIN #	WIRE COLOUR	DESCRIPTION
1	YELLOW	VIDEO
2	RED	+12V
3	BLUE	N.C
4	WHITE	AUDIO
5	BLACK/SHIELD	GND

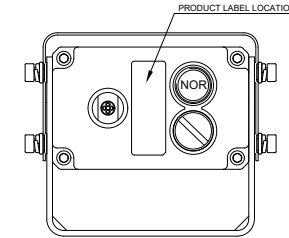
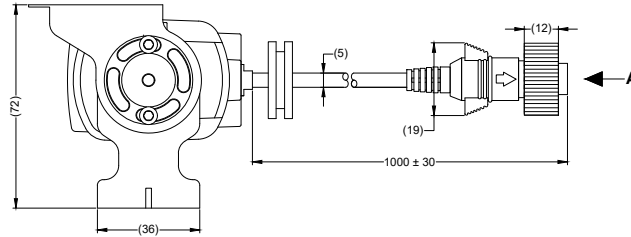
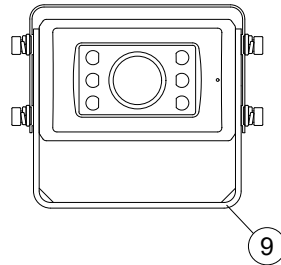
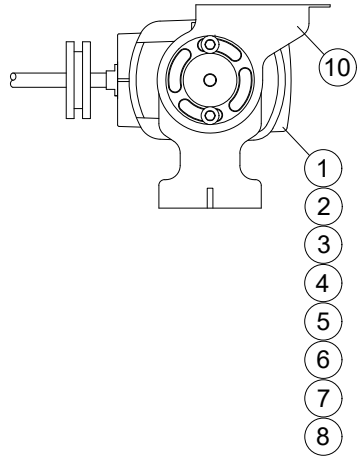
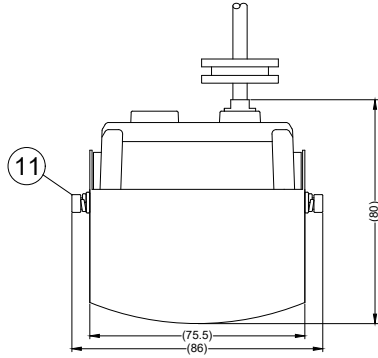
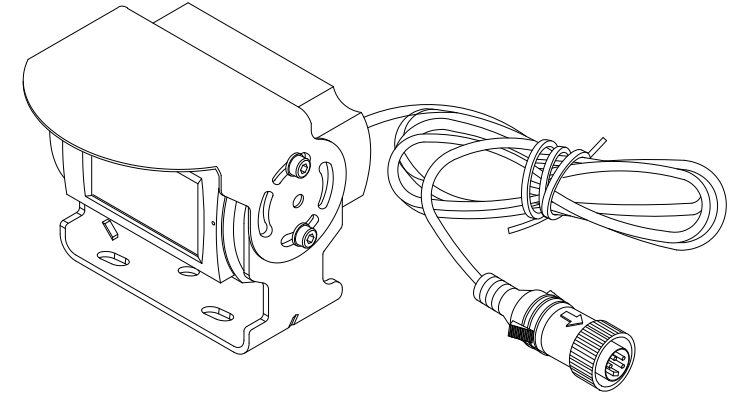


TABLE 2: CAMERA KIT CONTENTS

ITEM	①	②	③	④	⑤	⑥	⑦	⑧	⑨	⑩	⑪	⑫
PART NO.	3243D	3481C	3482C	4411B	3502B	3503B	4937A	3490A	3244A	3245	3246	3247B
MODEL NO.	BE-800C-C	BE-800C(40)-C	BE-800C(78)-C	BE-801C-C	BE-801(40)-C	BE-801(78)-C	BE-850C-C	BE-200C-C	BE-89XC.BE-XXC-BKT	BE-89XC/BE-X0XC-SS	BE-8XXC.BE2XXC SERIES BRACKET	BE-8XXC.BE2XXC SERIES SUNSHIELD
DESCRIPTION	CAMERA, HEATED, PAL	CAMERA, HEATED, PAL, 40°	CAMERA, HEATED, PAL, 78°	CAMERA, HEATED, NTSC	CAMERA, HEATED, NTSC, 40°	CAMERA, HEATED, NTSC, 78°	CAMERA, HEATED, PAL, 12-24VDC	CAMERA, HEATED, PAL, BLACK AND WHITE	BE-8XXC.BE2XXC SERIES BRACKET	BE-8XXC.BE2XXC SERIES SUNSHIELD	BE-8XXC.BE2XXC SERIES FIXING KIT	BE-8XXC.BE2XXC SERIES INSTALLATION GUIDE (NOT SHOWN)
BE-800C QTY.	1	-	-	-	-	-	-	-	-	-	-	-
BE-800C(40) QTY.	-	1	-	-	-	-	-	-	-	-	-	-
BE-800C(78) QTY.	-	-	1	-	-	-	-	-	-	-	-	-
BE-801C QTY.	-	-	-	1	-	-	-	-	-	-	-	-
BE-801C(40) QTY.	-	-	-	-	1	-	-	-	-	-	-	-
BE-801C(78) QTY.	-	-	-	-	-	1	-	-	-	-	-	-
BE-850C QTY.	-	-	-	-	-	-	1	-	-	-	-	-
BE-200C QTY.	-	-	-	-	-	-	-	1	-	-	-	-

- NOTES:
- REFER TO COMPONENT DRAWINGS FOR COMPONENT DETAILS.
 - FOR PRODUCT LABEL AND PACKAGING DETAILS REFER TO MASTER BOM.
 - FOR INSTALLATION DETAILS REFER TO INSTALLATION GUIDE.
 - ANY CUSTOMER MODIFICATION OF THIS PRODUCT CAUSING SUBSEQUENT FAILURE IS NOT A LIABILITY OF BRIGADE ELECTRONICS PLC.

PROPRIETARY NOTICE
 THIS DESIGN AND TECHNICAL INFORMATION APPEARING ON THIS DRAWING IS THE PROPERTY OF BRIGADE ELECTRONICS, AND IS DISCLOSED IN CONFIDENCE. IT IS NOT TO BE COPIED, REPRODUCED, REVEALED TO OR EXPROPRIATED BY OTHERS, EITHER IN WHOLE OR IN PART WITHOUT THE EXPRESS WRITTEN CONSENT OF BRIGADE ELECTRONICS.



Assembly Pl Approval T.CHOI 03/05/18	Approved by B.JOHN	Checked by M.BUTLER	Drawn by S.LAVER
Angle of Projection 	Units mm	Scale N/A	Released 04/05/18
Status RELEASED	Assembly Ref BE-8XXC.BE-2XXC		
Part No SEE TABLE 1	BE-003780-00-18		